

PINHEAD®

Anti-Theft System for Your *Whole* Bike™





Key Replacement

Every Pinhead key is engraved with an 8 or 9-digit key code.

If you lose your Pinhead key and you know your key code, your key can easily and quickly be replaced. Replacement keys can be ordered online at pinheadlocks.com, and are available only from Pinhead.

Key Code Registration

You should keep a record of your key code in a safe place. We recommend that you also register your key code with us at pinheadlocks.com so we always have a record of it for you.

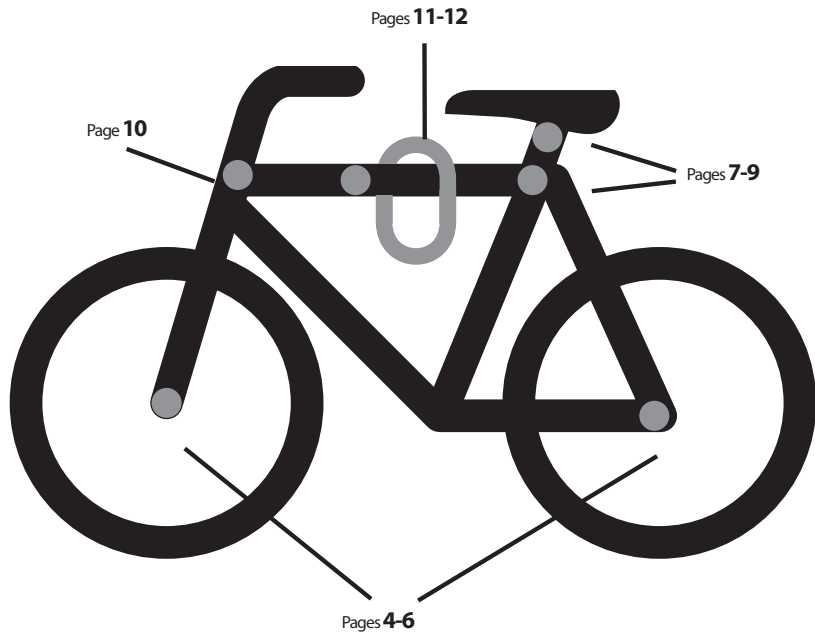
Matching Locksets

With your key code you can order matching locks for another bike at pinheadlocks.com

My Key Code:

N K

• • • • • • • • • •



4

Quick Release Wheel Locks

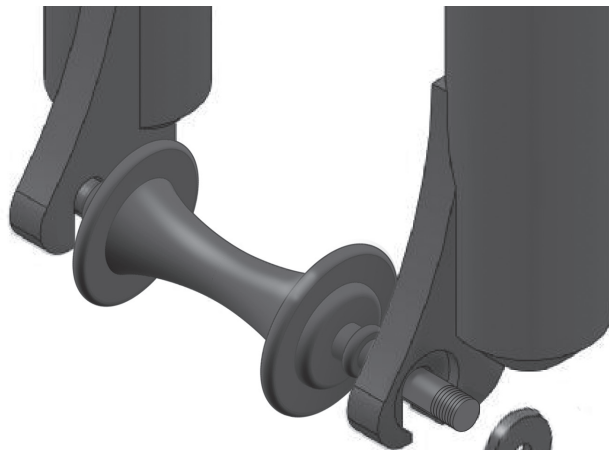
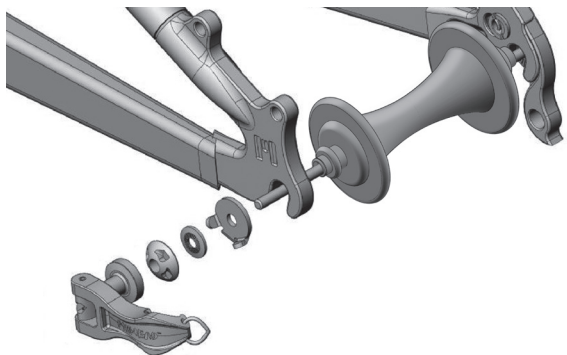


Solid Axle Wheel Locks

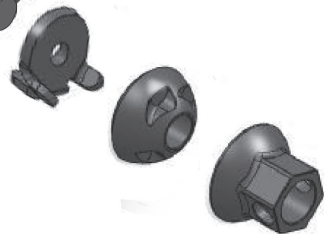
5



Torque to lock	
Nm	In.lb.
8	70



Torque to lock	
Nm	In.lb.
25	220



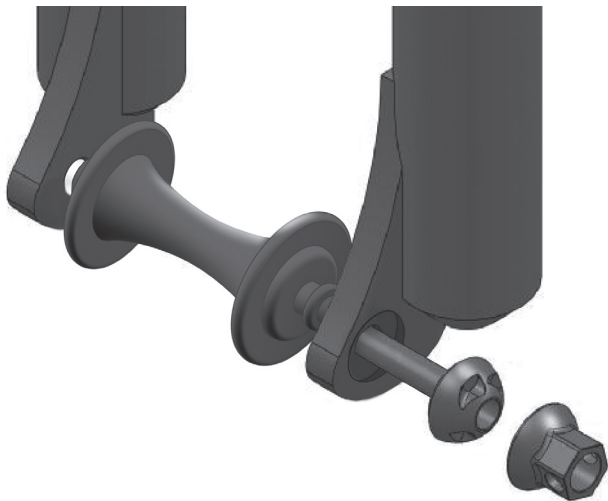
Through Axle Wheel Locks



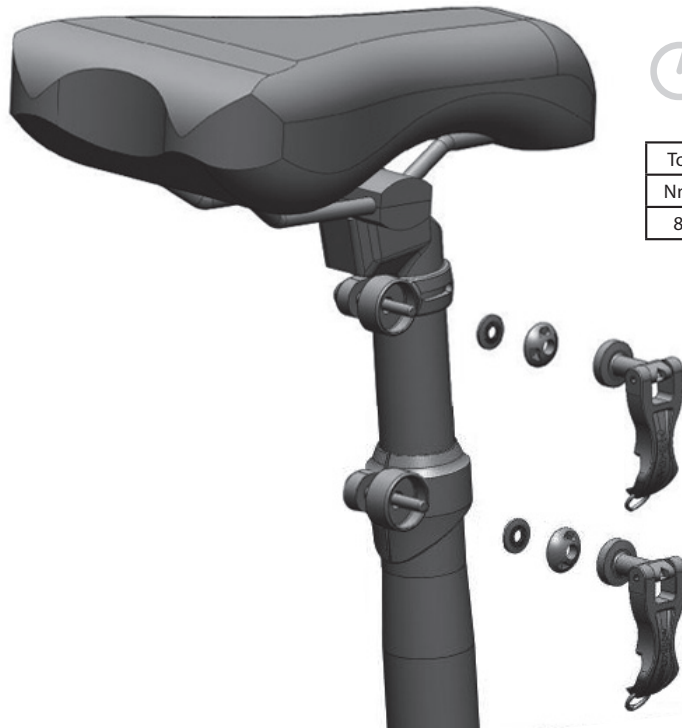
Seatpost and Saddle Locks



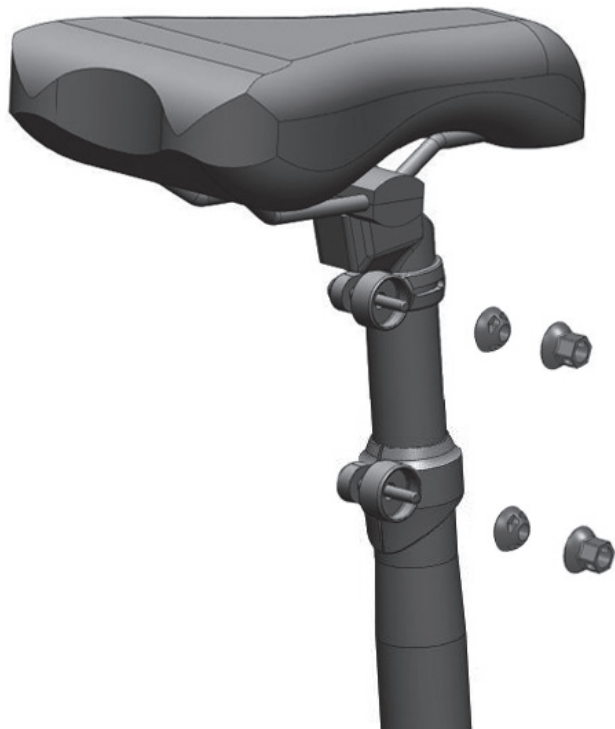
Torque to lock	
Nm	In.lb.
25	220



Torque to lock	
Nm	In.lb.
8	70



Seatpost and Saddle Lock



Torque to lock

Nm	In.lb.
25	220



Brooks Saddle Lock

Torque to lock

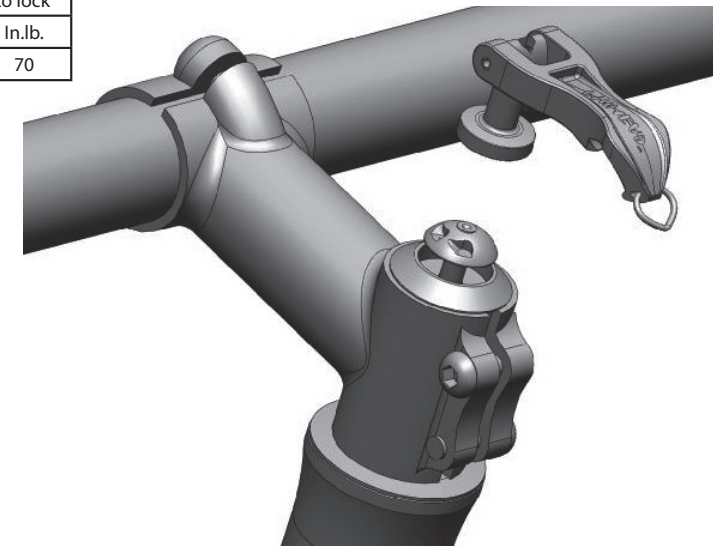
Nm	In.lb.
25	220





Torque to lock

Nm	In.lb.
8	70

**To Install the Clip:**

Install the Clip onto the City Lock using the two smaller screws provided. The curved part of the Clip should nest with the curved part of the lock.

To Install the Mounting Bracket:

1. See where the City Lock fits best on your seat tube. You will install the Bracket in that position.
2. Clamp the two pieces around your seat tube. The rounded part should face up.
3. Join them using the two larger screws provided.
4. Insert the plastic shims if needed so there is a gap between the two pieces when tightened.
5. Tighten the screws. Do not overtighten.

To Open the Lock:

1. Insert the key.
2. Push down and rotate the key until you feel it engage.
3. Rotate the key 90° counter-clockwise to open.
4. The small dot on the key will tell you the correct key position.

Useful Tips:

1. When locking your bike to a storage rack or street pole, install the lock so the key entry is facing down and away from you. Make it harder for the thief to attack your bike.
2. Make sure the lock is installed through your bicycle frame.





To Open:

1. Insert and slide the key until it is at the end of the slot.
2. Push down and rotate the key until you feel it engage.
3. Rotate the key 90° counter-clockwise to open.
4. The small dot on the key will tell you the correct key position.

To Lock:

Push the shackle into the housing until you hear a click indicating that the lock is engaged. The key is not needed to close the lock.

Useful Tips:

1. When locking your bike to a storage rack or street pole, install the lock so the key entry is facing downward and away from you. Make it harder for the thief to attack your bike.
2. Make sure the lock is installed through your bicycle.



Also available as Omega Ultimate

- Product Code 115
- Includes wheels, seatpost and headset locks



CAUTION !!!

- IMPROPER LOCK INSTALLATION CAN CAUSE MALFUNCTION AND RESULT IN SERIOUS BODILY INJURY
- PINHEAD RECOMMENDS THAT THE INSTALLATION BE DONE BY YOUR BICYCLE DEALER. BEFORE USING, READ THESE INSTALLATION INSTRUCTIONS. IF YOU HAVE ANY QUESTIONS, ASK YOUR DEALER OR PINHEAD.
- IMPORTANT – THE LOCKNUTS MUST BE TIGHTENED TIGHTLY TO ENSURE SAFETY.

Check before Riding

Lift up your bicycle so the wheel is off the ground, and give the wheel a few hard and sharp downward blows. The wheel should not be loose or come off. Do this for both wheels.

Always check your locknuts before each ride to ensure they are tight and properly installed to prevent your wheels or seat post from moving. Failure to do so could result in serious injury.

Limited Warranty

Pinhead locks are warranted free from defects in material or workmanship under normal use for two years from the date of purchase. Pinhead promises the original purchaser to repair or replace at Pinhead's choice any defective piece or article during the warranty term.

This warranty does not apply to any damage resulting from misuse, negligence, accidents or improper repair. Incidental or consequential damages are definitely excluded by this warranty.

The PINHEAD Difference™



VS



Other locks only protect your frame,
leaving the rest of your bike **vulnerable**.

PINHEAD's™ complete line of security
products protect your *Whole* bike.



PINHEAD®

Anti-Theft System for Your *Whole* Bike™

pinheadlocks.com

support@pinheadlocks.com



@officialpinheadlocks



@pinheadlock



@pinheadlocks

